

KYRA SBC-017 and SBC-017K



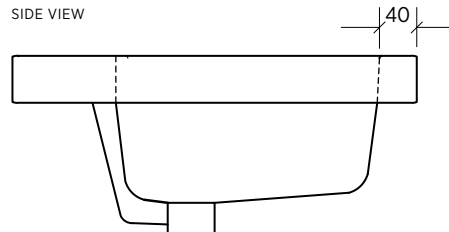
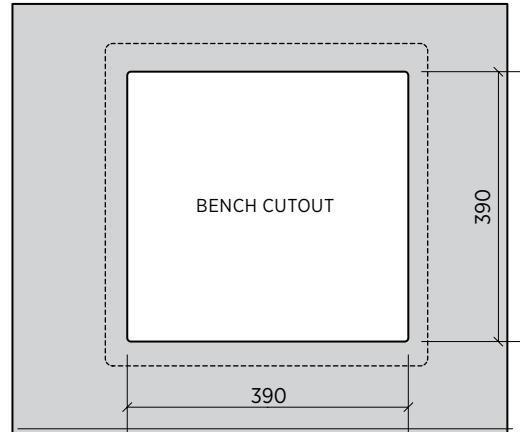
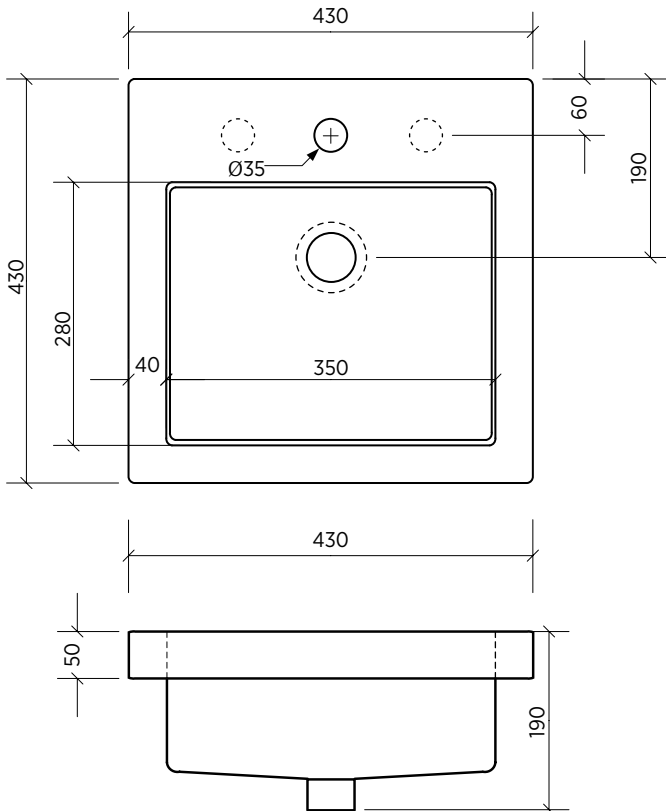
Inset above counter basin, square

This inset basin has distinctive square styling and generous capacity in a compact space. The basin sits low on the benchtop with most of the basin sitting below. The wide rim enables this inset basin to be used with a variety of benchtop materials.

ORDER CODE	WHITE (GLOSS FINISH)
SBC-017	1 taphole
SBC-017-0T	no taphole
SBC-017-3T	3 tapholes

	BLACK (SILK MATTE FINISH)
SBC-017K	1 taphole
SBC-017K-0T	no taphole
SBC-017K-3T	3 tapholes

TAPHOLE	0, 1 or 3 tapholes.
WASTE	Suits standard 32 mm waste with overflow (not supplied).
CAPACITY	7 litres.
OVERFLOW	Standard with overflow.
MATERIAL	Vitreous china.
FIXING	Always use the actual basin to verify cutout. Use acetic cured silicone sealant. Do not use epoxy type adhesives.



 Basin has integrated overflow

SEIMA
bathroom | kitchen | laundry

seima.com.au

Please note

- All measurements are in millimetres.
- Dimensions are nominal and subject to normal ceramic manufacturing variations of ±5mm.
- Fixing: Use acetic cured silicone sealant. Do not use epoxy type adhesives.
- Always use the actual basin to verify cutout.
- Specifications may vary without notice as part of our continuous improvement practices.
- Clean with a damp cloth. Do not use abrasive cleaners, liquids or pastes.

DS-SBC-017 | v 2.0